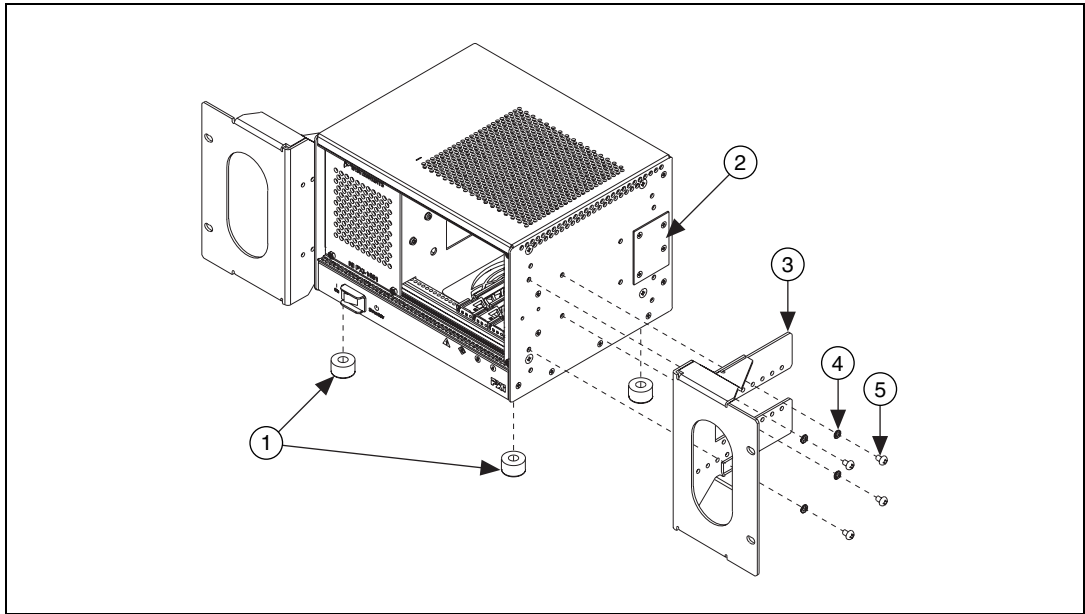


INSTALLATION GUIDE

NI PXI-1031 Rack Mount Kit

To mount the NI PXI-1031 in an instrument rack, complete the following steps.

1. Remove the bottom feet and COA label plate (as required) from the NI PXI-1031 chassis.
2. Install the mounting brackets onto the front or rear of each side of the chassis using the M4 × 8 panhead screws and lock washers supplied. Notice that you can recess the chassis in the cabinet rack at .5 in. increments.
3. Install the chassis in the instrument rack using four screws (not supplied).



- 1 Rubber Feet
- 2 COA Label Plate
- 3 Mounting Bracket (Qty. 2)

- 4 Lock Washer (Qty. 8)
- 5 M4 × 8 Panhead Screw (Qty. 8)

Figure 1. NI PXI-1031 in Rack Mount Configuration

National Instruments™, NI™, and ni.com™ are trademarks of National Instruments Corporation. Product and company names mentioned herein are trademarks or trade names of their respective companies. For patents covering National Instruments products, refer to the appropriate location: **Help» Patents** in your software, the `patents.txt` file on your CD, or ni.com/patents.

© 2004 National Instruments Corp. All rights reserved.



370996A-01

Feb04